

# THERMAL AND OPTICAL BI-SPECTRUM NETWORK SPEED DOME

SECURING YOUR LIFE

MODEL: TB-TC40H-491VFPI

## Introduction

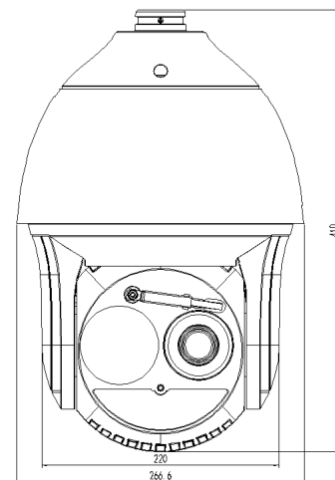
TB-TC40H-491VFPI Thermal and Optical Bi-spectrum Network Speed Dome equipped with built-in GPU which supports intelligent perimeter protection algorithm, can realize high-precision VCA detection and real-time alarm. It is applied for perimeter protection and fire-prevention in critical infrastructures such as community, villa, construction site, factory, 4S stores, and so on. The pre-alarm system helps you discover unexpected events immediately and protects your property.

## Product Image



## Features

- Perimeter protection function, based on intelligent algorithm: line crossing, intrusion, region entrance and exit
- Fire detection algorithm
- Temperature exception alarm for fire prevention
- 640 × 512 (the resolution of output image is 640 × 512) resolution 17 μm, VOx UFPA, NETD ≤ 40 mK (@ 25 °C, F#=1.0)
- Image processing technology: Liner, histogram, and self-adaptive thermal AGC mode, DDE, 3D DNR
- NEMA-4X Standard
- High quality detector with 10 years guarantee
- Smart tracking: Panorama tracking, Event tracking and Multi-scene patrol tracking
- Smart tracking linkage: thermal view and optical view
- Thermal channel supports EIS, conflicted with intelligent function
- Smoke detection for fire prevention



E111 FACTORY – THANH BINH BCA CO., LTD.

Industrial Zone – Lai Yen – Hoai Duc – Ha Noi

Tel: 1800-282229 | Email : info@tbvision.com.vn | Website : tbvision.com.vn |



## Specification

Thermal Module	
Image Sensor	VOx Uncooled Focal Plane Arrays
Resolution	640 × 512
Pixel Interval	17 μm
Response Waveband	8 μm to 14 μm
NETD	Less than 40 mK (@ 25 °C, F#=1.0)
Focal Length	50 mm
Focus Mode	Athermalized
IFOV	0.34 mrad
Aperture	F1.0
Field of View	12.4° × 9.9° (H × V)
Min. Focusing Distance	50m
Digital Zoom	×2, ×4, ×8
Optical Module	
Image Sensor	1/1.8" Progressive Scan CMOS
Resolution	2688 × 1520, 4 MP
Min. Illumination	Color: 0.005 Lux @(F1.3, AGC ON), B/W: 0.001 Lux @(F1.3, AGC ON)
Field of View	56.6° × 33.7° (H × V) ~ 1.8° × 1.0° (H × V)
Focal Length	6-240 mm, 40x
Aperture (Range)	F1.3-F4.6
Focus Mode	Auto/Semi-auto/Manual
Digital Zoom	×2, ×4, ×8, ×16
Shutter Speed	1s to 1/30,000s
WDR	120 dB
Optical Defog	Yes
Image Effect	
Picture in Picture	Display partial image of thermal channel on the full screen of optical channel
Target Coloration	Supported in white hot and black hot mode
PTZ	
Movement Range	Pan: 360° Continuous Rotate; Tilt: From -20° to + 90° (auto flip)
Pan Speed	Configurable, From 0.1°/s to 200°/s, Preset Speed: 240°/s
Tilt Speed	Configurable, From 0.1°/s to 105°/s, Preset Speed: 200°/s
Proportional Zoom	Yes
Presets	300 in total, 273 are configurable.
Patrol Scan	8; Up to 32 Presets Per Patrol
Pattern Scan	4; More Than 10 Minutes Per Pattern
Power Off Memory	Yes
Park	Preset/Pattern Scan/Patrol Scan/Auto Scan/Tilt Scan/Random Scan/Frame Scan/Panorama Scan
PT Status	Turn On/Turn Off
Scheduled Task	Preset/Pattern Scan/Patrol Scan/Auto Scan/Tilt Scan/Random Scan/Frame Scan/Panorama Scan/Doom Reboot/Doom Adjust/Aux Output



**E111 FACTORY – THANH BINH BCA CO., LTD.**

Industrial Zone – Lai Yen – Hoai Duc – Ha Noi

Tel: 1800-282229 | Email : [info@tbvision.com.vn](mailto:info@tbvision.com.vn) | Website : [tbvision.com.vn](http://tbvision.com.vn) |



<b>Illuminator</b>	
IR Distance	Up to 150m
IR Intensity and Angle	Automatically adjusted
<b>Smart Function</b>	
VCA	Support 4 VCA rule types (Line Crossing, Intrusion, Region Entrance, and Region Exiting), up to 10 scenes and 8 VCA rules for each scene
Temperature Measurement	Support 3 temperature measurement rule types, 273 presets as scene, 21 rules of each scene (10 points, 10 areas, and 1 line)
Temperature Range	-20 °C to 150 °C (-4 °F to 302 °F)
Temperature Accuracy	± 8 °C (±14.4 °F)
Fire Detection	Dynamic fire detection, up to 10 fire points detectable.
<b>Video and Audio</b>	
Main Stream	Thermal channel 50fps(1920 × 1080, 1280 × 960, 1280 × 720, 704×576, 640×512, 384×288) Optical channel 50Hz:25fps(2688 × 1520, 1920 × 1080, 1280 × 960, 1280 × 720) 60Hz:30fps(2688 × 1520, 1920 × 1080, 1280 × 960, 1280 × 720)
Sub-stream	Thermal channel 50fps(704×576, 640×512, 384×288) Optical channel 50Hz:25fps(704 × 576, 352 × 288) 60Hz:30fps(704 × 576, 352 × 288)
Video Compression	Main stream: H.265+/H.265/H.264+/ H.264 Sub-stream: H.265/H.264/MJPEG
Audio Compression	G .711u/G.711a/G.722.1/MP2L2/G.726/PCM
<b>Network</b>	
Protocols	IPv4/IPv6, HTTP, HTTPS, 802.1x, Qos, FTP, SMTP, UPnP, SNMP, DNS, DDNS, NTP, RTSP, RTCP, RTP, TCP, UDP, IGMP, ICMP, DHCP, PPPoE
Network Storage	MicroSD/SDHC/SDXC card (256 G) local storage, and NAS (NFS, SMB/CIFS), auto network replenishment (ANR)
API	ISAPI, TBVISION SDK, third-party management platform, ONVIF profile S,T,G)
Simultaneous Live View	Up to 20 channels
User/Host level	Up to 32 users, 3 levels: Administrator, Operator, User
Security	User authentication (ID and password), MAC address binding, HTTPS encryption, IEEE 802.1x access control, IP address filtering
Client	VIMS
Web Browser	Live view (plug-in allowed) : Internet Explorer 11 Live view (plug-in free) : Chrome 57.0 +, Firefox 52.0 + Local service : Chrome 57.0+, Firefox 52.0 +



**E111 FACTORY – THANH BINH BCA CO., LTD.**

Industrial Zone – Lai Yen – Hoai Duc – Ha Noi

Tel: 1800-282229 | Email : [info@tbvision.com.vn](mailto:info@tbvision.com.vn) | Website : [tbvision.com.vn](http://tbvision.com.vn) |



<b>Interface</b>	
Alarm Input	7-ch inputs (0-5 VDC)
Alarm Output	2-ch relay outputs, alarm response actions configurable
Alarm Action	Preset/Patrol Scan/Pattern Scan/SD Card Record/Relay Output/Smart capture/FTP upload/Email linkage
Audio Input	1, 3.5 mm Mic in/Line in interface. Line input: 2 - 2.4 V [p-p], output impedance: 1 K $\Omega$ $\pm$ 10%
Audio Output	Linear Level; Impedance: 600 $\Omega$
Communication Interface	1, RJ45 10 M/100 M Self-adaptive Ethernet interface. 1, RS-485 interface
Analog Video Output	1.0 V [p-p]/75 $\Omega$ , BNC for thermal channel
<b>General</b>	
Web Client Language	32 languages English, Russian, Estonian, Bulgarian, Hungarian, Greek, German, Italian, Czech, Slovak, French, Polish, Dutch, Portuguese, Spanish, Romanian, Danish, Swedish, Norwegian, Finnish, Croatian, Slovenian, Serbian, Turkish, Korean, Traditional Chinese, Thai, Vietnamese, Japanese, Latvian, Lithuanian, Portuguese (Brazil)
Power Supply	24V AC $\pm$ 20%, 36V DC $\pm$ 20%, 48V DC $\pm$ 20%
Power Consumption	65W Max
Work Temperature/Humidity	From -40°C to 65°C (-40°F to 149°F); Humidity: 95% or Less
Wiper	Yes
Protection Level	IP66 Standard; TVS 6000V Lightning Protection, Surge Protection and Voltage Transient Protection
Dimension	220 mm $\times$ 410 mm $\times$ 198.6 mm (8.66" $\times$ 16.15" $\times$ 7.82")
Weight	Approx. 9kg (19.84 lb)

## ▪ Range Table

VCA Range (Vehicles: 1.4 $\times$ 4.0 m)	VCA Range (Humans: 1.8 $\times$ 0.5 m)	Temperature Measurement (Object: 2 $\times$ 2 m)	Temperature Measurement (Object: 1 $\times$ 1 m)	Fire Detection (Object: 2 $\times$ 2 m)	Fire Detection (Object: 1 $\times$ 1 m)
1500 m	350 m	1170 m	590 m	2940 m	1470 m



**E111 FACTORY – THANH BINH BCA CO., LTD.**

Industrial Zone – Lai Yen – Hoai Duc – Ha Noi

Tel: 1800-282229 | Email : [info@tbvision.com.vn](mailto:info@tbvision.com.vn) | Website : [tbvision.com.vn](http://tbvision.com.vn) |



▪ **DORI**

\* The table is only for reference and the performance may vary from camera to camera.

Detection Range: In order to distinguish an object from the background, the image must be covered by 1.5 or more pixels.

Recognition Range: In order to classify the object (animal, human, vehicle, etc.), the image must have at least 6 pixels across its critical dimension.

Identification Range: In order to identify the object and describe it in details, the critical dimension must have be least 12 pixels across

Detection Range (Vehicles: 1.4× 4.0 m)	Detection Range (Humans: 1.8× 0.5 m)	Recognition Range (Vehicles: 1.4× 4.0 m)	Recognition Range (Humans: 1.8× 0.5 m)	Identification Range (Vehicles: 1.4× 4.0 m)	Identification Range (Humans: 1.8 × 0.5 m)
4510 m	1470 m	1127 m	368 m	564 m	184 m

**Accessories**



Wall Mount



Mount with Junction Box



Wall mount