

# 4 MP IR VARIFOCAL BULLET NETWORK CAMERA

TB-TCB7-591FPI

Sản xuất lắp ráp tại Nhà máy E111 - BCA

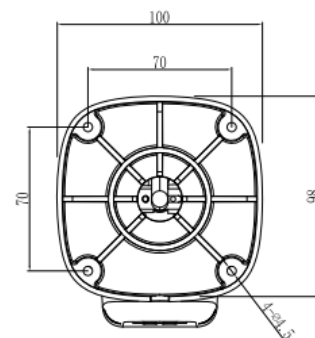
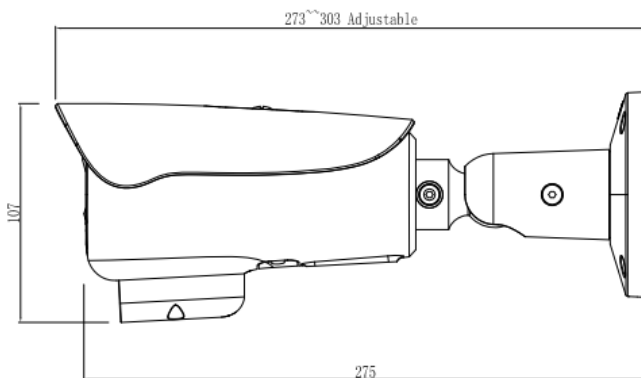
## Product Image Dimensions

- Dimensions: 303×95×107 mm
- Weight: 1.35 Kg
- Accessory: junction box (included)
- Operating Conditions: -40°C ~ 60°C (-40°F ~ 140°F), Humidity 95% or less (non-condensing)



## Features

- Uncooled VOx Micro bolometer with 256×192 resolution
- Thermal: 7mm fixed lens optional, Optical: 8 mm fixed lens
- Support human, vehicle, smoking, fire point, smoke and fire detection
- Smart events: intrusion, single line crossing, double line crossing, loitering, wrong-way, people counting, enter area, leave area
- Temperature monitoring and exception alarm, -20°C to 150°C (-4°F to 302°F)
- Support 3 temperature measurement rule types (spot, line, area)
- Support sound-light alarm, IR distance up to 55m
- NDAA Compliance
- IP67



E111 FACTORY – THANH BINH BCA CO., LTD.

Industrial Zone – Lai Yen – Hoai Duc – Ha Noi

Hotline: 1800.282229 | Email : [info@tbvision.com.vn](mailto:info@tbvision.com.vn) | Website : [tbvision.com.vn](http://tbvision.com.vn) |



## Specifications

Thermal Module		
Image Sensor	Vanadium Oxide Uncooled Focal Plane Arrays	
Resolution	256×192, Image can be scaled up to 704×576	
Pixel Pitch	12um	
Spectral Range	8~14um	
NETD	< 50mK	
Lens Type	Fixed, F1.0	
Focus Control	Free focus	
Focal Length	7 mm	10 mm
Angle of View	H: 24°, V: 18°	H: 17°, V: 13°
Detection Distance (Humans: 1.8×0.5m)	291m	416m
Detection Distance (Vehicles: 4×1.5m)	894m	1278m
Recognition Distance (Human: 1.8×0.5m)	73m	104m
Recognition Distance (Vehicle 4×1.5m)	224m	319m
Detection Distance (Fire: 0.1×0.1m)	29m	41m
Detection Distance (Fire: 1×1m)	292m	417m
Optical Module		
Image Sensor	1/2.7" CMOS	
Effective Resolution	2880(H)×1620(V)	
Shutter Speed	1/5 ~ 1/20,000s	
Wide Dynamic Range	True WDR 120dB	
Min. Illumination	Color: 0.001Lux @(F1.2, AGC ON) B/W: 0.003Lux @(F1.2, AGC ON)	
S/N Ratio	More than 55dB	
Focal Length	8mm	
Angle of View	H: 40°, V: 20°	
Illuminator		
IR Distance	Up to 55m	
White Light	Strobe light	
Video and Audio		
Main Stream	Optical: 2880×1620, 2560×1440, 2304×1296, 1920×1080, 1280×720 @25/30fps Thermal: D1 (704×576) @25/30fps	
Sub Stream	Optical: D1, VGA, 640×360, CIF, QVGA @25/30fps Thermal: CIF, 256×192 @25/30fps	
Bit Rate Control	CBR/VBR	
Bit Rate	Main Stream: Optical: 100Kbps~12Mbps, Thermal: 100Kbps~3Mbps, Sub Stream: Optical: 10Kbps~6Mbps, Thermal: 10Kbps~1.5Mbps,	
Region of Interest	Off / On (8 Zone, Rectangle)	



**E111 FACTORY – THANH BINH BCA CO., LTD.**

Industrial Zone – Lai Yen – Hoai Duc – Ha Noi

Hotline: 1800.282229 | Email : [info@tbvision.com.vn](mailto:info@tbvision.com.vn) | Website : [tbvision.com.vn](http://tbvision.com.vn) |



Smart Encode	Support
Audio Compression	G.711: 8kbps, RAW_PCM: 16kbps
<b>Image</b>	
Image Setting	Brightness, Sharpness, Contrast, Saturation
Mirror	Support
Pseudo-color Setting	White-hot/Black-hot/Rainbow/Ironbow etc. up to 17 modes (Thermal)
DVE Image Enhance	Support (Thermal)
Noise Reduction	2D/3D DNR
Privacy Masking	Support
Motion Detection	Support
Image Fusion	Fusion of thermal imaging and visible light
<b>Smart Function</b>	
Smart Function	Temperature measurement, human detection and vehicle detection
Advanced Intelligence Analysis	Smoking detection, fire point detection, Smoke and Fire detection
Intelligent Analysis	Intrusion, Single line crossing, Double line crossing, Loitering, Wrong-way, Enter area, Leave area (these 7 function support accurate detection of people/vehicles) , People counting
Sound-light Alarm	Support white light flashing and horn warning
Temperature Measurement	3 temperature measurement rule types, 20 rules in total, 1 full screen, 19 others (spot, areas, line).
Temperature Alarm	Over temperature alarm, Temperature difference alarm
Accuracy	±2°C / ±2%
Response Time	≤ 30ms
Temperature Range	-20°C to 150°C (-4°F to 302°F), -20°C to 550°C (-4°F to 1022°F) Customizable
<b>Network</b>	
Protocols	IPv4/IPv6 ,HTTP,RTSP/RTP/RTCP, TCP/UDP, DHCP, DNS, PPPOE, SMTP ,802.1x
Interoperability	ONVIF
Max. User Access	10 Users
Web Viewer	<IE11, Chrome, Firefox, Microsoft Edge
Web Language	English, Chinese, Polish, Italian, Portuguese, Spanish. Russian, French, Czech, Hungarian
<b>Interface</b>	
Network Interface	1 Ethernet (10/100 Base-T) RJ-45 Connector
Audio Interface	1ch input, 1ch output
Built-in Speaker	Support
Alarm Interface	2ch input, 2ch output
RS485	Support
Reset Button	Support
SD Card Slot	Support, up to 256GB



**E111 FACTORY – THANH BINH BCA CO., LTD.**

Industrial Zone – Lai Yen – Hoai Duc – Ha Noi

Hotline: 1800.282229 | Email : [info@tbvision.com.vn](mailto:info@tbvision.com.vn) | Website : [tbvision.com.vn](http://tbvision.com.vn) |



General	
Power Supply	DC12V/DC24V/POE (IEEE 802.3af)
Power Consumption	Max 12W
Working Temperature	-40°C ~ 60°C (-40°F ~ 140°F)
Storage Conditions	0 ~ 90% RH
Certifications	CE /FCC
Ingress Protection	IP67
Casing	Metal
Dimensions	303×95×107 mm (11.93 × 3.74× 4.21 inch)
Net Weight	1.35 Kg (2.98 lb)



**E111 FACTORY – THANH BINH BCA CO., LTD.**

Industrial Zone – Lai Yen – Hoai Duc – Ha Noi

Hotline: 1800.282229 | Email : [info@tbvision.com.vn](mailto:info@tbvision.com.vn) | Website : [tbvision.com.vn](http://tbvision.com.vn) |

