

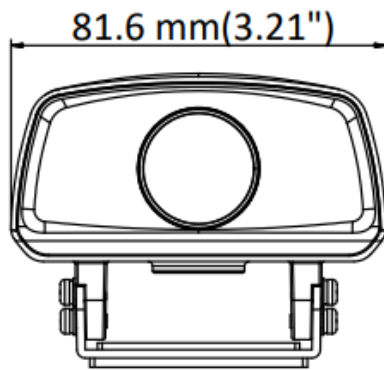
2 MP IR NETWORK CAMERA

VVIP-2HDIR28

Sản xuất lắp ráp tại Nhà máy E111 - BCA

Product Image Dimensions

- Dimensions: 78.8 × 81.6 × 64 mm
- Weight: Approx. 330 g
- Material: Aluminum alloy
- Accessory: Adapter and junction box (included)
- Operating Conditions: -30 °C to +65 °C (-22 °F to +145 °F), Humidity 95% or less (non-condensing)



Features

- ✓ 1/2.8" Progressive Scan CMOS
- ✓ 2.8 mm Lens
- ✓ 1920 × 1080 resolution
- ✓ H.265, H.265+, H.264+, H.264
- ✓ 120dB WDR
- ✓ IP67, IK10
- ✓ IR range: 10 to 30 meters
- ✓ Image enhancement: BLC, 3D DNR, HLC, defog, EIS, EXIR



E111 FACTORY – THANH BINH BCA CO., LTD.

Industrial Zone – Lai Yen – Hoai Duc – Ha Noi



Hotline: 1800.282229 | Email : info@tbvision.com.vn | Website : tbvision.com.vn |

Specifications

CAMERA	
Image Sensor	1/2.8" Progressive Scan CMOS
Illumination	Color: 0.005 lux @(F1.2 AGC ON) B/W: 0.006 lux Color @(F1.2 AGC ON), 0 lux with IR
Shutter Speed	1/3 s to 1/100,000 s
Day & Night	IR Cut Filter
Digital Noise Reduction	3D DNR
S/N Ratio	More than 50dB
WDR	120dB
CAMERA FEATURES	
Max. IR LEDs Length	Up to 30 m
Day/Night	Auto(ICR) / Color / B/W
Backlight Compensation	BLC / HLC /WDR(120dB)/ 3D DNR / EXIR
White Balance	Auto/Sunny/Night/Outdoor/Customized
Gain Control	Auto/Manual
Noise Reduction	3D
Privacy Masking	Up to 4 areas
LENS	
Focal length	2.8 mm (HorizontalFOV 126°)
Aperture	F1.6
Lens Mount	M12
Focus	Auto focus
IMAGE	
Video Compression	1920 × 1080
Main stream	50Hz: 50fps (1920 × 1080, 1280 × 960, 1280 × 720) 60Hz: 60 fps (1920 × 1080, 1280 × 960, 1280 × 720)
Audio Compression	G.711alaw/G.722.1/G.726/MP2L2/PCM/MP3
Video Compression	Main Stream: H.265+/H.265/H.264+/H.264 Sub-Stream: H.265/H.264/MJPEG Third Stream: H.265/H.264/MJPE
Stream	50Hz: 50fps (1920 × 1080, 1280 × 960, 1280 × 720) 60Hz: 60 fps (1920 × 1080, 1280 × 960, 1280 × 720)
Image Setting	1920 × 1080
Video Bit Rate	32 Kbps to 16 Mbps

INTERFACE	
Ethernet Interface	1 RJ45 10 M/100 M
VCA FEATURES	
Smart Event	Line crossing detection, intrusion detection, region entrance detection, region exit detection, unattended baggage detection, object removal detection
Exception	Scene change detection, defocus detection
NETWORK	
Network Protocols	IPv4/IPv6, HTTP, HTTPS, 802.1x, Qos, FTP, SMTP, UPnP, SNMP, DNS, DDNS, NTP, RTSP, RTCP, RTP, TCP/IP, DHCP, PPPoE, UDP, IGMP, ICMP, Bonjour
Security	TCP/IP, ICMP, HTTP, HTTPS, FTP, DHCP, DNS, DDNS, RTP, RTSP, RTCP, PPPoE, NTP, UPnP™, SMTP, SNMP, IGMP, 802.1X, QoS, IPv6, UDP, BonjourAES Video Encryption 128 bits.
Web Language	English, Russian, Korean, Traditional Chinese, Thai, Vietnamese, Japanese, Latvian, Lithuanian ...
GENERAL	
Power Supply	12 VDC, 0.43 A, max. 4W PoE (802.3af, 36V to 57V)
Power Consumption	0.14 A to 0.09 A, max. 5.2 W

*All pictures and specifications are for reference only and are subject to change without prior notice.



E111 FACTORY – THANH BINH BGA CO., LTD.

Industrial Zone – Lai Yen – Hoai Duc – Ha Noi



Hotline: 1800.282229 | Email : info@tbvision.com.vn | Website : tbvision.com.vn |